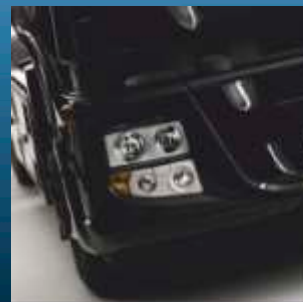


**QTC**® QUALITY  
TRUCK  
COMPONENTS



suitable for **MAN**

EDITION 2016



MAN TGX		
QTC	OEM	Pag
MTX/100	81416100364	3
MTX/100K	81416100364 81416100369 81416100370 81416140025 81416140026	3
MTX/115	81416100369	3
MTX/116	81416100370	3
MTX/180	81416100363	3
MTX/180K	81416100363 81416100369 81416100370 81416140025 81416140026	3
MTX/181	81416140025	3
MTX/182	81416140026	3
MTX/400	81664106606	9
MTX/401	81664106599	9
MTX/402	81664106625	9
MTX/415	81664400192	9
MTX/445	81664106674	9
MTX/475	81664400187	9
MTX/706	81251016498	3
MTX/706X	81251016516	3
MTX/707	81251016499	3
MTX/707X	81251016515	3
MTX/710	81251100084	3
MTX/711	81251100083	3
MTX/722	81251016522	3
MTX/723	81251016521	3
MXX/183	81416850029	3
MXX/400	81664106086	9
MXX/403	81664100293	9
MXX/415	81664100226	9

MAN TGS		
QTC	OEM	Pag
MTS/181	81416140023	4
MTS/182	81416140024	4
MTS/350	81615100644	4
MTS/351	81615100643	4
MXX/356	81615100536	4

MAN TGA XL - XXL		
QTC	OEM	Pag
MXX/100	81416100305	5
MXX/115	81416100231	5
MXX/116	81416100232	5
MXX/180	81416100306	5
MXX/181	81416100227	5
MXX/182	81416100228	5
MXX/183	81416850029	5
MXX/185	81416850031 81416850056	5
MXX/186	81416102881	5
MXX/187	81416102882	5
MXX/188	81416850041	5
MXX/189	81416850040 81416850055	5
MXX/200	81611506050	6
MXX/201	81611100053	6
MXX/216	81416850053	6
MXX/217	81416850061	6
MXX/260	81624100046	6
MXX/261	81624100047	6
MXX/262	81624100048	6
MXX/263	81624100049	6
MXX/264	81624400041	6
MXX/265	81624400039	6
MXX/300	81615100400 81615100280 81615100404	7
MXX/301	81615100399 81615100281 81615100403	7
MXX/302	81626100024	7
MXX/303	81626100023	7
MXX/304	81615100402 81615100706	7
MXX/305	81615100401 81615100705	7
MXX/306	81626100018	7
MXX/307	81626100019	7
MXX/308	81615100273	7
MXX/309	81615110001	7
MXX/310	81615105187	7
MXX/350	81615100374 81615100752	7
MXX/351	81615100333 81615100751	7
MXX/352	81615100372	7
MXX/353	81615100311	7
MXX/355	81615100538	7
MXX/356	81615100536	7

MAN TGA XL - XXL		
QTC	OEM	Pag
MXX/360	81612100462	8
MXX/362	81664100308	8
MXX/363	81664100309	8
MXX/370	81615100410	8
MXX/371	81615100411	8
MXX/400	81664106086	9
MXX/403	81664100293	9
MXX/415	81664100226	9
MXX/700	81251016448	5
MXX/701	81251016449	5
MXX/702	81251016450	5
MXX/703	81251016451	5
MXX/720	81253206112	5
MXX/721	81253206111	5
MXX/722	81253206090	5
MXX/723	81253206089	5
MTX/400	81664106606	9
MTX/401	81664106599	9
MTX/402	81664106625	9
MTX/415	81664400192	9
MTX/445	81664106674	9
MTX/475	81664400187	9

MAN TGA M - L - LX		
QTC	OEM	Pag
MML/100	81416100307	10
MML/115	81416100229	10
MML/116	81416100230	10
MML/180	81416100308	10
MML/181	81416100225	10
MML/182	81416100226	10
MML/186	81416102900	10
MML/350	81615100382 81615100740	11
MML/351	81615100355 81615100739	11
MML/355	81615100538 81615100822	11
MML/356	81615100823	11
MTS/350	81615100644	11
MTS/351	81615100643	11
MXX/310	81615105187	11



**MTX/180 GREY**  
**MTX/180K KIT**



**MTX/710 RH**



**MTX/711 LH**



**MTX/100K KIT**

**MTX/116 RH \***



**MTX/100 \***



**MTX/115 LH \***



**MTX/706 RH**  
**MTX/706X RH (XENON)**



**MTX/707 LH**  
**MTX/707X LH (XENON)**



**MTX/722 RH**



**MTX/723 LH**



**MXX/183**



**MXX/183**



**MTX/182 RH \***



**MTX/181 LH \***





**MXX/356**



**MTS/350 RH**



**MXX/356**



**MTS/351 LH**



**MTS/182 RH**



**MTS/181 LH**





**MXX/180 GREY**



**MXX/189**



**MXX/185**



**MXX/188**



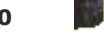
**MXX/188**



**MXX/185**



**MXX/100**



**MXX/189**



**MXX/116 RH**



**MXX/115 LH**



**MXX/700 RH w/o beam adj.**  
**MXX/702 RH w. beam adj.**



**MXX/701 LH w/o beam adj.**  
**MXX/703 LH w. beam adj.**



**MXX/183**



**MXX/183**



**MXX/722 RH**



**MXX/723 LH**



**MXX/720 RH**



**MXX/721 LH**



**MXX/182 RH**



**MXX/187 LONG**



**MXX/186 SHORT**



**MXX/181 LH**



suitable for **MAN TGA XL-XXL**



MXX/260 RH



MXX/261 LH



MXX/262 RH



MXX/263 LH



MXX/201



MXX/264 RH



MXX/265 LH



MXX/200



MXX/216



MXX/217



SHINY CHROMED VERSION





**MXX/370 RH**



**MXX/371 LH**



**MXX/362 RH**



**MXX/360 LH-RH**



**MXX/363 LH**



MTX/445



MTX/400



MXX/400



MTX/415



MXX/415



MTX/401



MTX/475



MTX/402



MTX/402  
REAR VIEW



MXX/403 LH-RH FRONT/REAR



suitable for **MAN TGA M-L-LX**



**MML/180 GREY**



**MML/116 RH**



**MML/100**



**MML/115 LH**



**MML/182 RH**



**MML/186**



**MML/181 LH**





**MTS/350 RH**



**MTS/351 LH**



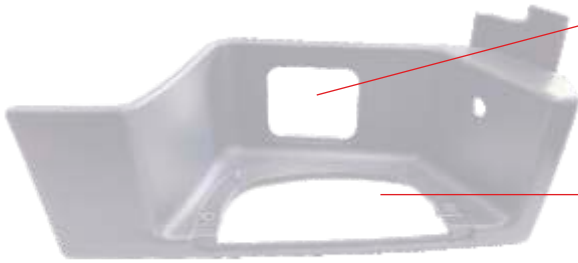
**MML/356**



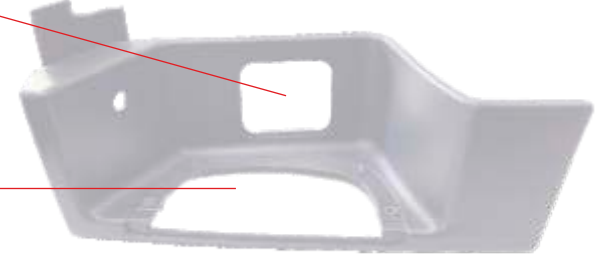
**MML/355**



**MML/350 RH**



**MML/351 LH**



**MXX/310 RH-LH**



suitable for **MAN F2000 - MAN LE2000**

MAN F2000		
QTC	OEM	Pag
F20/100	81416104114	13
F20/102	81416130073	14
F20/104	81416130071	14
F20/105	81416155061	14
F20/110	81960020425	13
F20/111	81416100150	13
F20/112	81416100191	13
F20/113	81416100159	13
F20/114	81416100158	13
F20/115	81416100151	13
F20/116	81416100152	13
F20/122	81416130066	14
F20/123	81416130069	14
F20/130	81416135035	14
F20/132	81416100166	13
F20/133	81416100167	13
F20/135	81416100164	13
F20/142	81416130078	14
F20/143	81416130079	14
F20/146	81416130080	14
F20/147	81416130081	14
F20/200	81611505060	17
F20/201	81611100043	17
F20/205	81748210095	17
F20/260	81624102224	17
F20/261	81624102225	17
F20/262	81624100064	17
F20/263	81624100063	17

MAN F2000		
QTC	OEM	Pag
F20/300	81612300066	15
F20/301	81612300067	15
F20/304	81612105363	15
F20/305	81612105364	15
F20/310	81615100267	15
F20/311	81615100268	15
F20/312	81615100262	15
F20/313	81615100263	15
F20/315	81615105181	15
F20/316	81615105196	15
F20/317	81615105197	15
F20/350	81615100225	15
F20/351	81615100226	15
F20/354	81615100229	15
F20/355	81615100230	15
F20/357	81615105163	15
F20/358	81615105164	15
F20/363	81615105161	15
F20/364	81615105162	15
F20/368	81626406058	16
F20/369	81626406057	16
F20/371	81971006098	16
F20/373	81626410099	16
F20/374	81626410100	16
F20/376	81626410101	16
F20/377	81669120033	15
F20/378	81669120034	15
F20/380	81626004082	16

MAN F2000		
QTC	OEM	Pag
F20/381	81626004077	16
F20/382	81626806096	16
F20/383	81626806095	16
F20/384	81626800055	16
F20/385	81626806107	16
F20/386	81626806108	16
F20/388	81626306020	16
F20/389	81626306021	16
F20/395	81626416052	16
F20/398	81626300048	16
F20/399	81626300047	16
F20/401	81664100352	15
F20/402	81664100353	15
F20/500	81961210056	17
F20/CH2	81417015344	17
F20/CH3	81417015345	17
F20/CH5	81417226013	17
F20/CH6	81417226012	17

MAN LE2000		
QTC	OEM	Pag
LE2/100	85416104012	18
LE2/180	85416104032 85416104036	18
L20/300	85612100004	18
L20/301	85612100003	18



**F20/132 RH**



**F20/135**



**F20/133 LH**



**F20/114 RH**



**F20/112**



**F20/113 LH**



**F20/110 RH**



**F20/100**



**F20/110 LH**



**F20/115 LH**



**F20/116 RH**



**F20/110 RH**



**F20/111**



**F20/110 LH**



suitable for **MAN F2000**



F20/105



F20/130



F20/146 RH



F20/104



F20/147 LH



F20/122 RH



F20/123 LH



F20/142 RH



F20/102



F20/143 LH





F20/378 RH



F20/377 LH



F20/401 RH



F20/305 RH



F20/304 LH



F20/402 LH



F20/300 RH



F20/301 LH



F20/351 RH



F20/350 LH



F20/358 RH



F20/357 LH



F20/311 RH



F20/310 LH



F20/316



F20/317



F20/355 RH



F20/354 LH



F20/364 RH



F20/363 LH



F20/312 RH



F20/313 LH



F20/315



F20/381 RH



F20/386 RH



BACK AND FRONT VIEW

F20/382 RH F20/384 RH-LH



F20/371 RH-LH



set of two outer handles with keys

F20/398 RH



F20/368 RH



F20/388



F20/376 LH-RH



F20/395 RH-LH F20/374 RH



F20/399 LH



F20/380 LH



F20/369 LH



F20/389



F20/376 LH-RH



F20/395 RH-LH



F20/373 LH



F20/385 LH



BACK AND FRONT VIEW

F20/383 LH F20/384 RH-LH





F20/500



F20/262 RH



F20/260 RH



F20/205 RH



F20/201



F20/205 LH



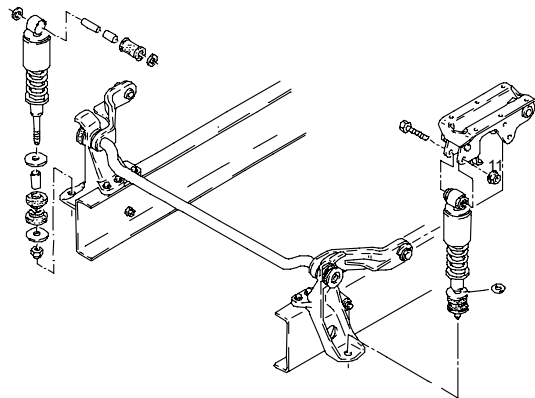
F20/261 LH



F20/263 LH



F20/200



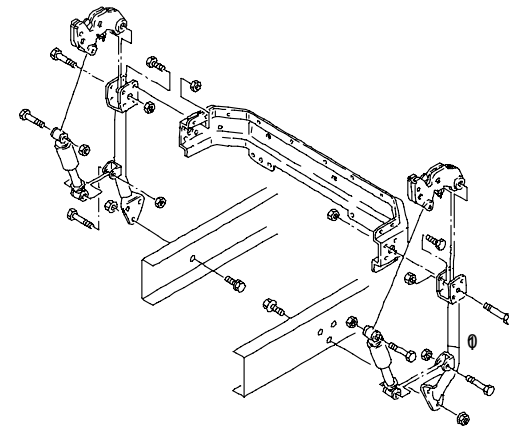
F20/CH6



F20/CH2



F20/CH3



F20/CH5





L20/300 RH



L20/301 LH



LE2/100



LE2/180 **PAINTED**





“I marchi utilizzati in questo catalogo sono proprietà dei fabbricanti dei veicoli industriali e commerciali a cui si riferiscono. Il loro utilizzo su questo catalogo serve unicamente per aiutare ad identificare il modello sul quale deve essere montato il pezzo di ricambio. I nostri articoli, pur non essendo originali, sono perfettamente intercambiabili ai veicoli a cui si riferiscono.”

“The property of the brand names used into this catalogue is exclusively of the makers. Original numbers used are for indication purpose only. Although our products are not original, they are perfectly interchangeable with them.”

“Les marques utilisées dans ce catalogue sont de propriété des fabricants de véhicules industriels et commerciaux auxquels ils se réfèrent. Leur utilisation ne serve qu'à identifier le modèle sur lequel doit être montée la pièce de rechange. Nos articles, ne sont pas originaux, mais ils sont adaptables aux véhicules auxquels ils se rapportent.”

“Die im vorliegenden Katalog verwendeten Marken sind Eigentum der Hersteller der Industrie- und Nutzfahrzeuge, auf die sie sich beziehen. Ihre Verwendung im vorliegenden Katalog dient ausschliesslich zur Identifizierung des Modells, in dem das Ersatzteil eingebaut werden soll. Unsere Artikel sind zwar keine Originalteile, aber dennoch perfekt austauschbar bei den Fahrzeugen, auf die sie sich beziehen.”

“Własność nazw handlowych i numerów identyfikacyjnych części zamiennych (OEM) należy wyłącznie do producentów. Nazwy i numery te zostały podane jedynie w celu łatwiejszej identyfikacji. Jakkolwiek nasze produkty nie są oryginalne, mogą być one doskonałe użyte jako ich zamienniki.”

“Η κυριότητα των ονομάτων (λογotypών) που χρησιμοποιούνται στον καταλογο αυτον ανηκουν στους κατασκευαστες. Παρολο ομως που τα προιοντα μας δεν ειναι γνησια τα αντικαθιστουν επακριβως. Οι γνησιοι κωδικοι χρησιμοποιονται μονο για αντιστοιχια.”

“A propriedade das marcas usadas neste catálogo é dos fabricantes dos veículos. Códigos originais são usados apenas para indicação aos nossos clientes. Nossos produtos não são originais mas são perfeitamente intercambiáveis.”

“Las marcas especificadas en este catalogo, son propiedad de los fabricantes de vehículos industriales y comerciales referidos. El propósito de este catalogo es única y exclusivamente, para identificar el modelo en el cual se monta la pieza de recambio suministrada por nosotros. Las referencias originales son utilizadas única y exclusivamente para su identificación por parte de nuestros clientes. Nuestros artículos no son originales pero perfectamente intercambiables.”

# QTC<sup>®</sup> QUALITY TRUCK COMPONENTS

*... you'll never drive alone*

## J4UK

QUALITY TRUCK COMPONENTS

J4 TRUCK COMPONENTS LTD  
Unit 2 . Hovefields Court  
Hovefields Avenue - Basildon - United Kingdom  
Essex SS13 1EB  
Ph. +44 1268 729430  
Fax +44 1268 727692  
email: info@j4uk.co.uk  
www.j4uk.co.uk

## J4 EUROPE

QUALITY TRUCK COMPONENTS

EURONORD - J4EUROPE  
Quality Truck Components Srl  
Via Fernando Santi 21  
10024 Moncalieri TO - ITALIA  
Tel. +39 011 6474990 - +39 011 6896072  
Fax +39 011 6473955  
www.j4europe.com

## J4POLAND

QUALITY TRUCK COMPONENTS

ul. Ustrzycka 6  
02-141 Warszawa - Polska - Poland  
tel. +48 22 303 69 15  
fax. +48 22 723 40 50  
e-mail: poland@j4europe.com

## J4 PORTUGAL

QUALITY TRUCK COMPONENTS

QTC Lda  
Rua Pinhal Cotelo  
2410-480 Pousos - Leiria (Portugal)  
Tel. + 351 244 813 608  
Fax. + 351 244 813 610  
e-mail: portugal@j4europe.com

## J4 CENTRAL EUROPE

QUALITY TRUCK COMPONENTS

QTC Central Europe Kft  
9700 Szombathely Szövő u. 100  
Magyarország - Hungary  
email: central@j4europe.com  
tel. +36 30 6289456  
tel. +36 94510015

